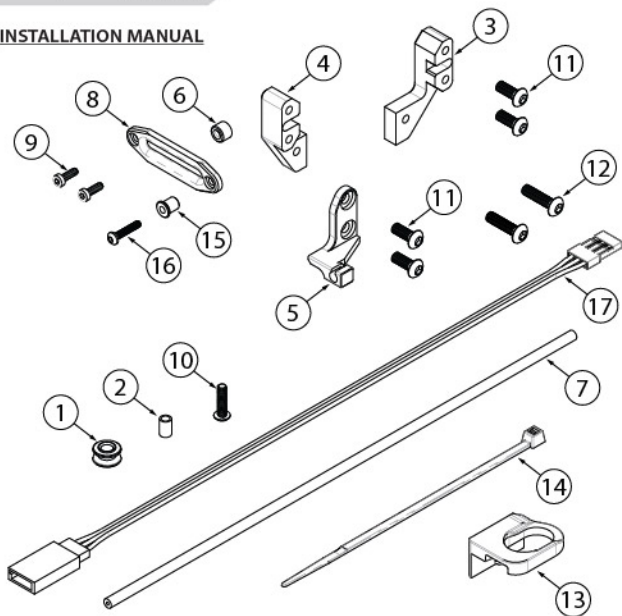


Muscle Winch Mount Lead Kit for BRX02 (#BRD90110036)

Difficulty Level: ★★☆☆☆

INSTALLATION MANUAL



Parts Included:	Qty.
(1) Pulley	1
(2) Pivot Tube	1
(3) Winch Mount A	1
(4) Winch Mount B	1
(5) Tube Retainer	1
(6) Nylon Washer	1
(7) Routing Tube	1
(8) Winch Lead	1
(9) M2x6 SC Screw #BRASCH2006	2
(10) M2.5x10 RS Screw #BRASBH2510	1
(11) M3x8 RS Screw #BRASBH3008	4
(12) M3x12 RS Screw #BRASBH3012	2
(13) Switch Button #BR-365switch	1
(14) Zip Tie	1
(15) Hook Holder	1
(16) M2x10 RS Screw #BRASBH2010	1
(17) Extension Cable (20cm)	1

(1) This kit comes with a switch button for holding and releasing the knob to keep the spool engaged or disengaged.

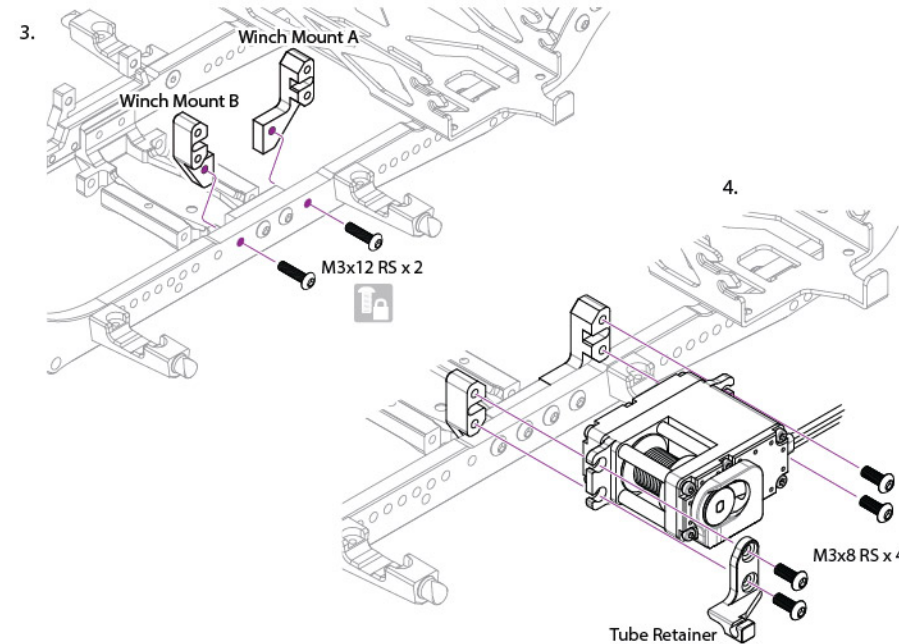
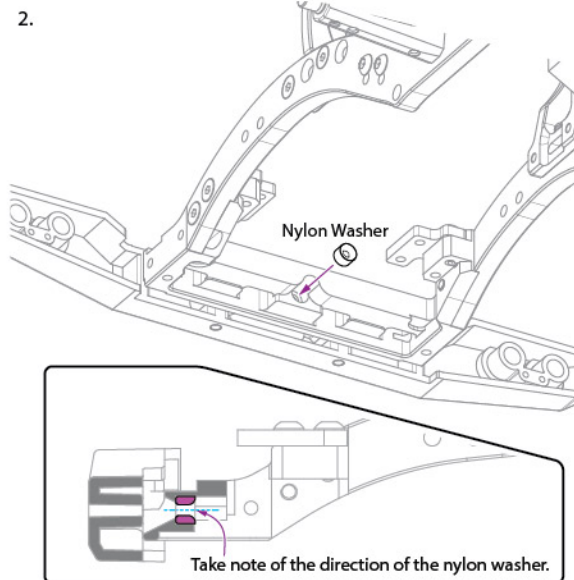
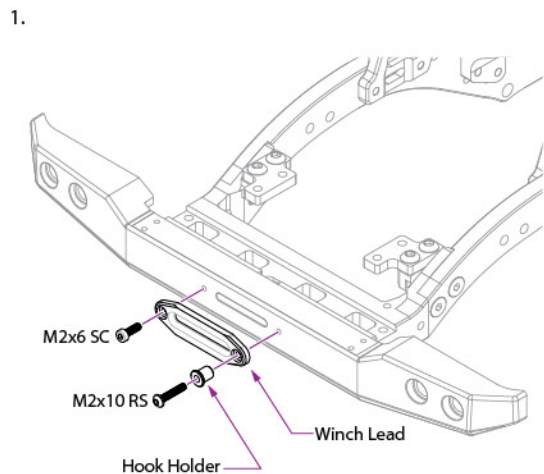
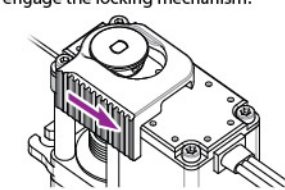
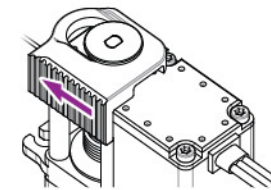
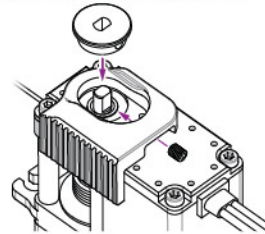
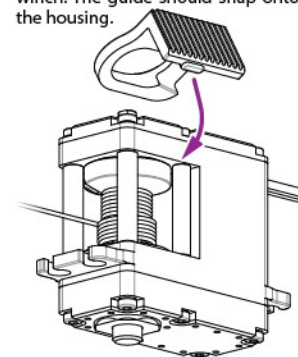
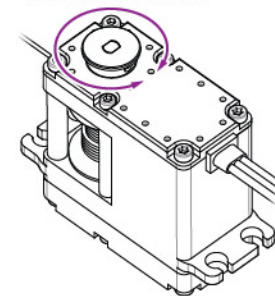
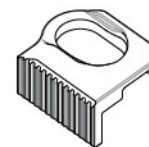
(2) Adjust the shaft with electronics connected. Turn the knob with the set screw facing the power cable. Then remove the knob.

(3) Place the switch button on the servo winch. The guide should snap onto the housing.

(4) Position the switch button as shown, then reinstall the knob.

(5) Pushing the switch button forward will keep the spool unlocked.

(6) Pull the switch button backwards to engage the locking mechanism.

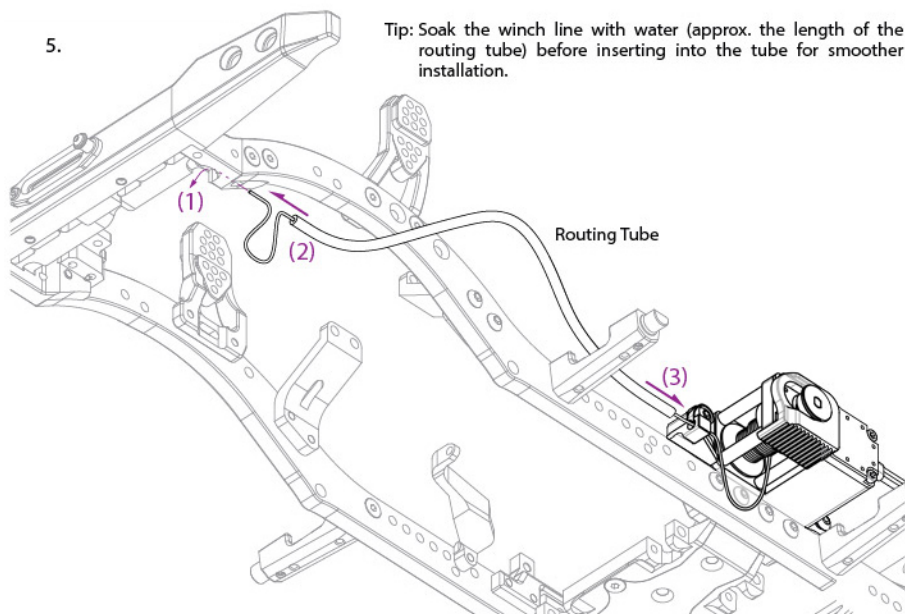


Muscle Winch Mount Lead Kit for BRX02 (#BRD90110036)

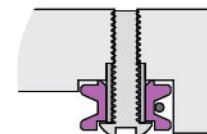
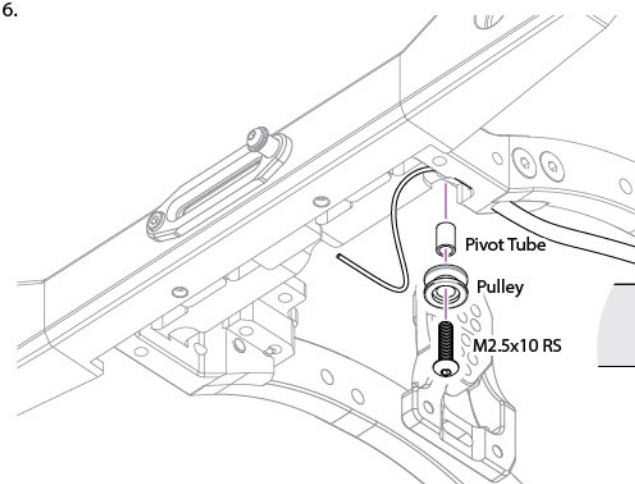
Difficulty Level: ★★☆☆☆

5.

Tip: Soak the winch line with water (approx. the length of the routing tube) before inserting into the tube for smoother installation.

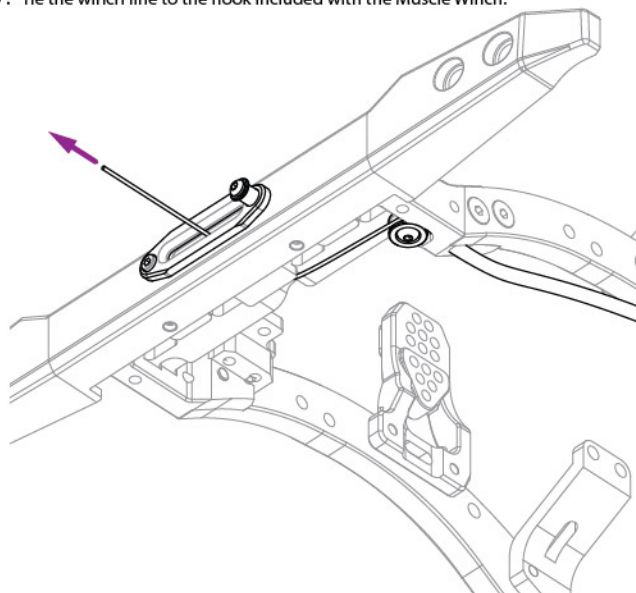


6.

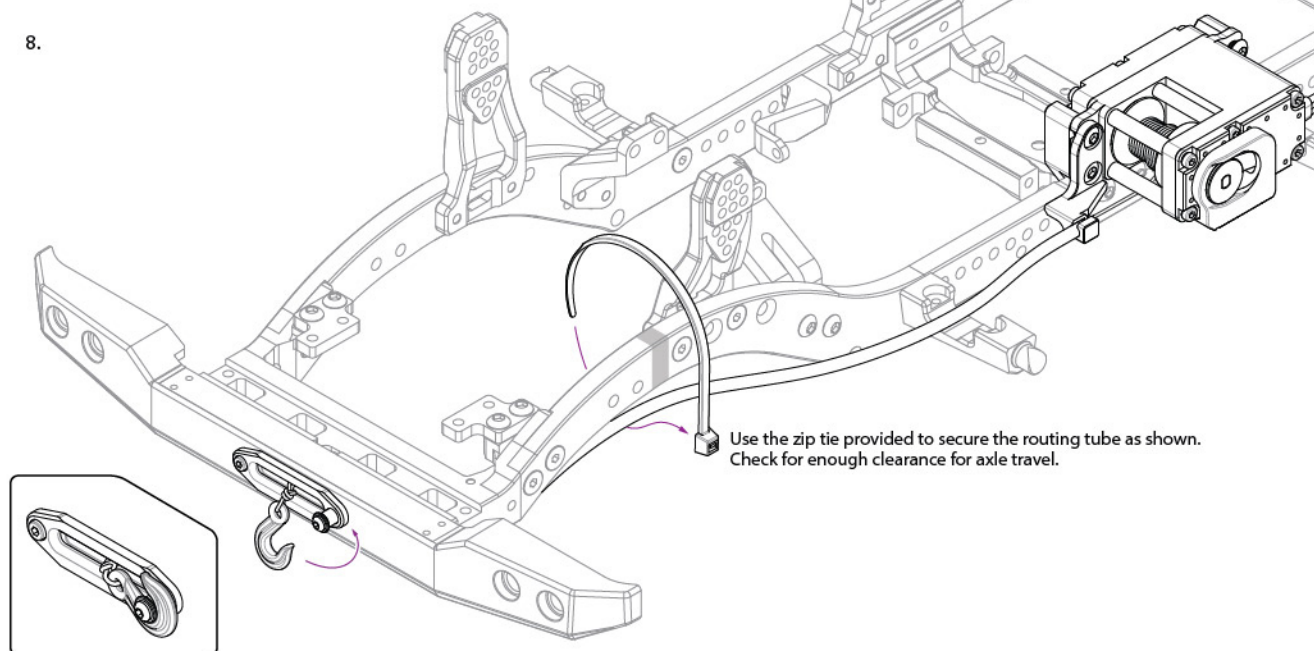


Take note of the direction of the pulley. Make sure the winch line is within the slot during installation.

7. Tie the winch line to the hook included with the Muscle Winch.



8.



Use the zip tie provided to secure the routing tube as shown. Check for enough clearance for axle travel.